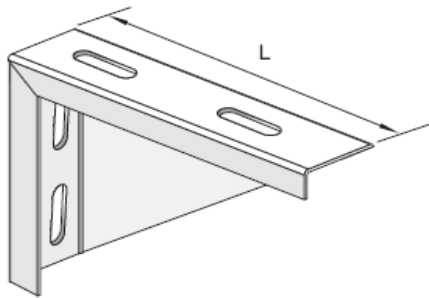


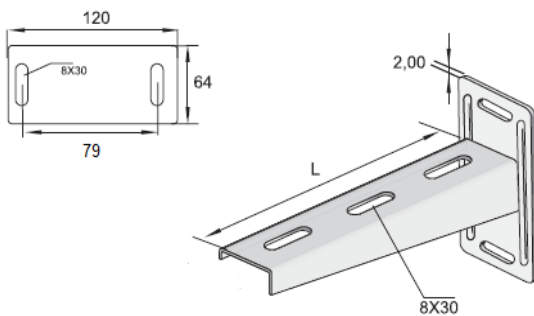
Brackets for Wall Mounting


Model Number	Length (L) (mm)	Thickness (T) (mm)	Weight kg/pcs	Order Code (PG)
DK 05	50	1,50	0,110	4510 10 050 15 1
DK 10	100	1,50	0,185	4510 10 100 15 1
DK 16	160	1,50	0,260	4510 10 160 15 1
DK 20	200	1,50	0,310	4510 10 200 15 1
DK 30	300	2,00	0,710	4510 10 300 20 1
DK 40	400	2,00	0,910	4510 10 400 20 1
DK 50	500	2,00	1,100	4510 10 500 20 1
DK 60	600	2,00	1,310	4510 10 600 20 1

*Required M8 bolt and Nuts for fixing to Trays.

*ISO EN 10327 (TS 822) PREGALVANISED

PG	HDG	EPOXY	AISI 304	AISI 316
+	+	+	+	+

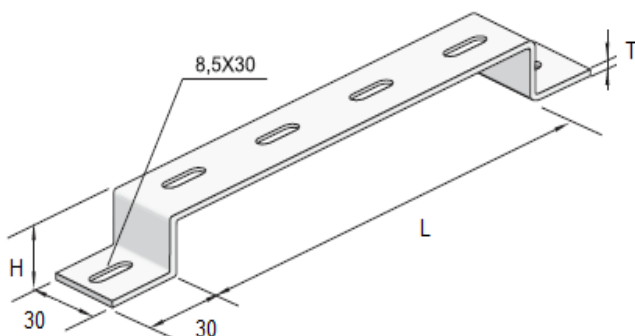
Brackets for Wall Mounting (Welded)


Model Number	Length (L) (mm)	Thickness (T) (mm)	Weight kg/pcs	Order Code (EG)
DKK 05	50	1,50	0,180	4520 10 050 15 7
DKK 10	100	1,50	0,230	4520 10 100 15 7
DKK 16	160	1,50	0,290	4520 10 160 15 7
DKK 20	200	1,50	0,330	4520 10 200 15 7
DKK 30	300	1,50	0,890	4520 10 300 15 7
DKK 40	400	1,50	1,060	4520 10 400 15 7
DKK 50	500	1,50	1,230	4520 10 500 15 7
DKK 60	600	1,50	1,410	4520 10 600 15 7

*Required M8 bolt and Nuts for fixing to Trays.

*TS 822 ELECTROGALVANISED

EG	HDG	EPOXY	AISI 304	AISI 316
+	+	+	+	+

Brackets for Wall & Floor Mounting


Model Number	Diment (LxH) (mm)	Thickness (T) (mm)	Weight kg/pcs	Order Code (PG)
YDT 305	50x30	2,00	0,080	4530 30 050 20 1
YDT 310	100x30	2,00	0,104	4530 30 100 20 1
YDT 316	160x30	2,00	0,132	4530 30 160 20 1
YDT 320	200x30	2,00	0,151	4530 30 200 20 1
YDT 330	300x30	3,00	0,297	4530 30 300 30 1
YDT 340	400x30	3,00	0,367	4530 30 400 30 1
YDT 350	500x30	3,00	0,438	4530 30 500 30 1
YDT 360	600x30	3,00	0,509	4530 30 600 30 1

*Required M8 bolt and Nuts for fixing to Trays.

*ISO EN 10327 (TS 822) PREGALVANISED

PG	HDG	EPOXY	AISI 304	AISI 316
+	+	+	+	+