

ARKIMEDE 115 - DECKING



INDEX

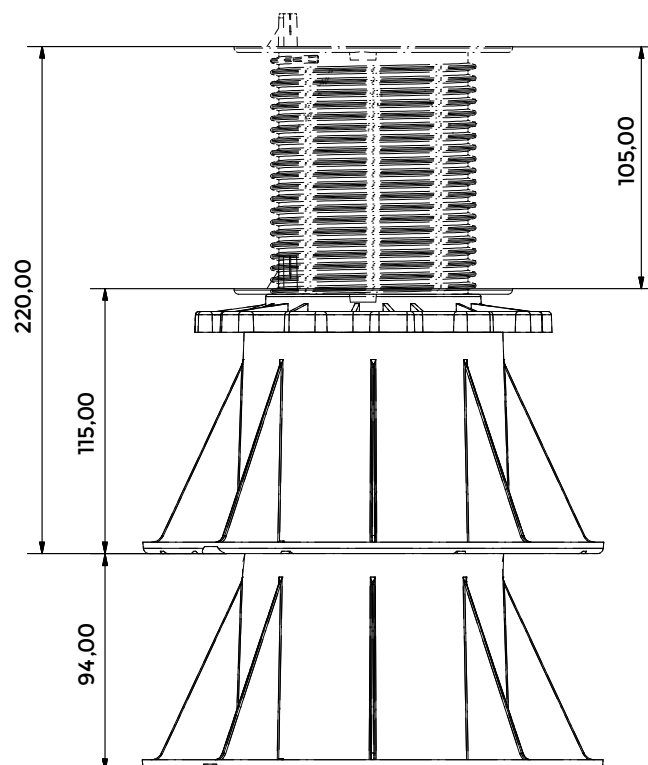
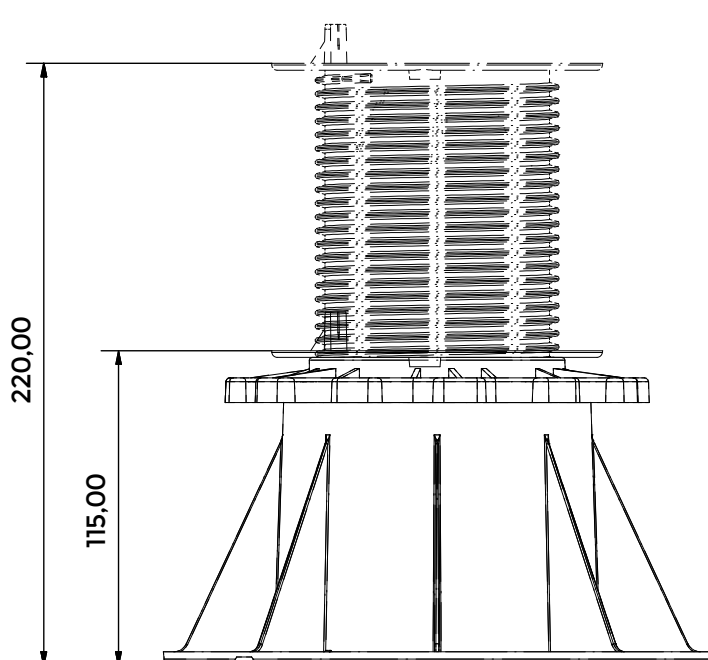
1. Code registry
2. Description
3. Use
4. Fields of use
5. Load test
6. Technical specification

1. CODE REGISTRY

Code	Description	Dimension (mm)	Weight (kg)	Pkg. / Pallet
30529	ARKIMEDE 115 - Decking	from 115 to 220	0,358	15 pcs. / 225 pcs.

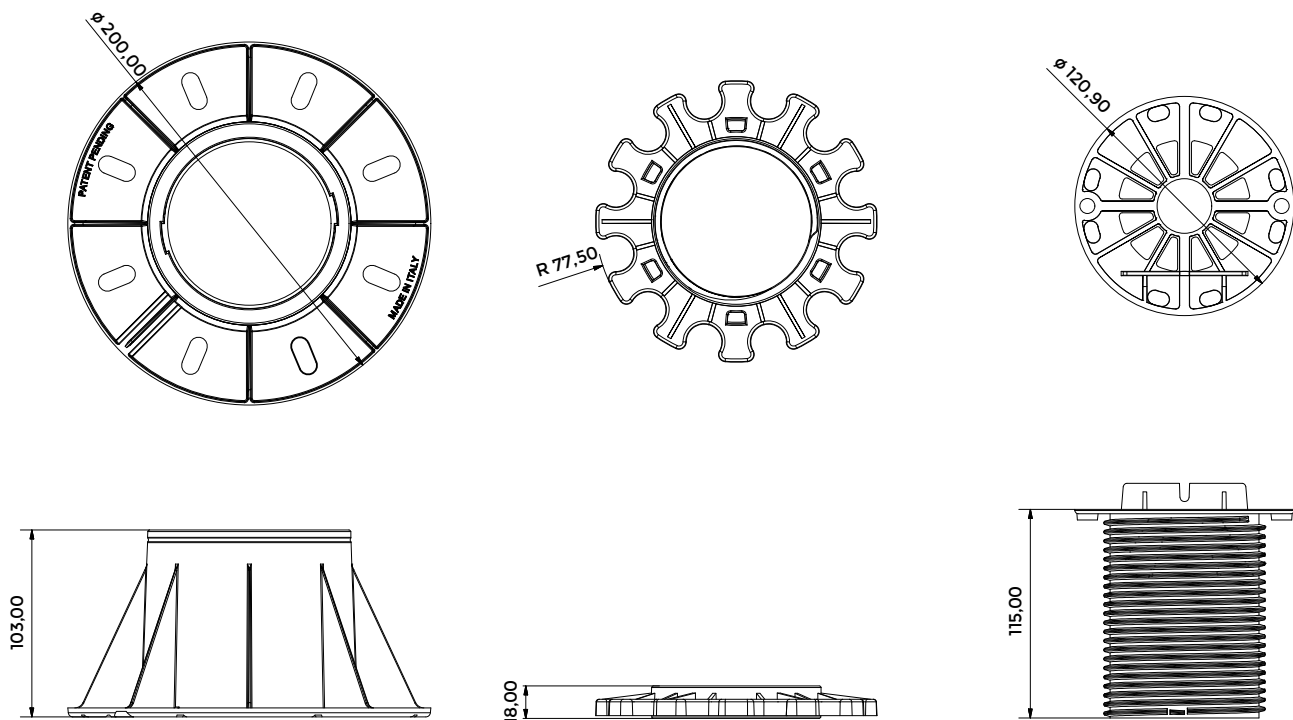
MATERIAL

Made of PP (polypropylene).



Each base has a special bottom shape that allows to be stack on another base.

ARKIMEDE 115 - DECKING



2. DESCRIPTION

Arkimede 115 support with adjustable height starting from 115 mm.

Base laying surface: 314 cm². Head diameter: 120 mm with a laying surface of 113 cm².

• Box composed by the base, rotating ring and head with 1 tab for joists.

The base allows the correct water drainage.

• Extension 100 mm is available as an optional.

3. USE

Used in external areas, terraces, pavements.

Operating temperature: from - 40 ° C to + 80 ° C.

4. FIELDS OF USE

Waterproof membrane, hard insulating panels, squids and solid and compact pose plans

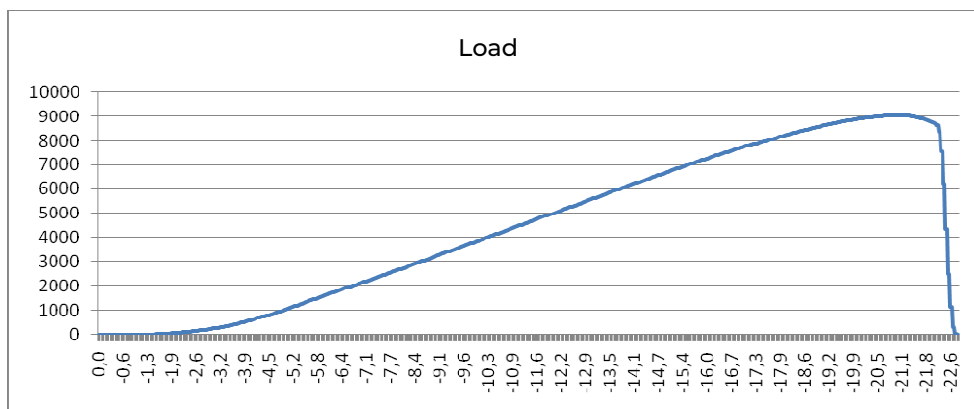
ARKIMEDE 115 - DECKING

5. LOAD TEST

TEST 1

Code	Dimension	Max. Load [N]
30529	h = 1.120 mm	9.033

A punch of 150 mm diameter was used to carry out the test.

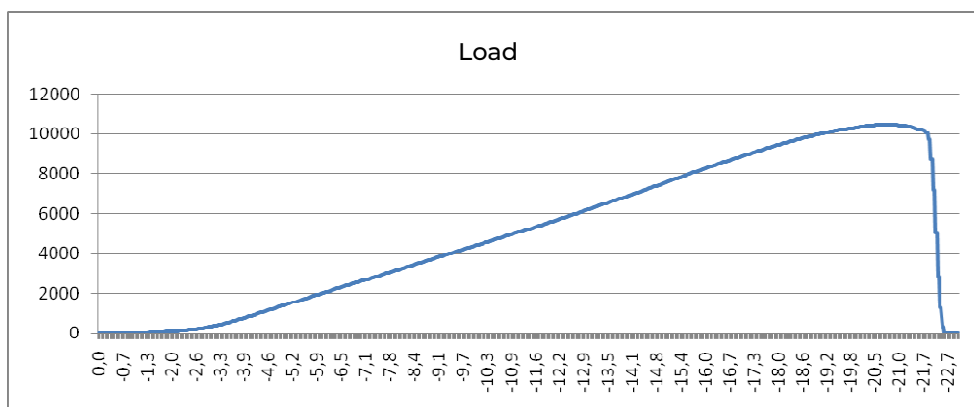


Maximum Load	9,033 N
Bend at Maximum Load	21,0 mm

TEST 2

Code	Dimension	Max. Load [N]
30529	h = 1.100 mm	10.467

A punch of 150 mm diameter was used to carry out the test.



Maximum Load	10,467 N
Bend at Maximum Load	20,7 mm

6. TECHNICAL SPECIFICATION

Specification	Description	Unity	Price
30529	Supply and installation of ARKIMEDE 115 - Decking support with adjustable height starting from 115 mm. Base laying surface: 314 cm ² . Head diameter: 120 mm with a laying surface of 113 cm ² . Available versions: · Box composed by the base, rotating nut and head with 1 tab for joists. The base allows the correct water drainage. Made of PP (polypropylene). Used in external areas, terraces, pavements.	pcs.	-
30529	1 tab.....	pcs.	-