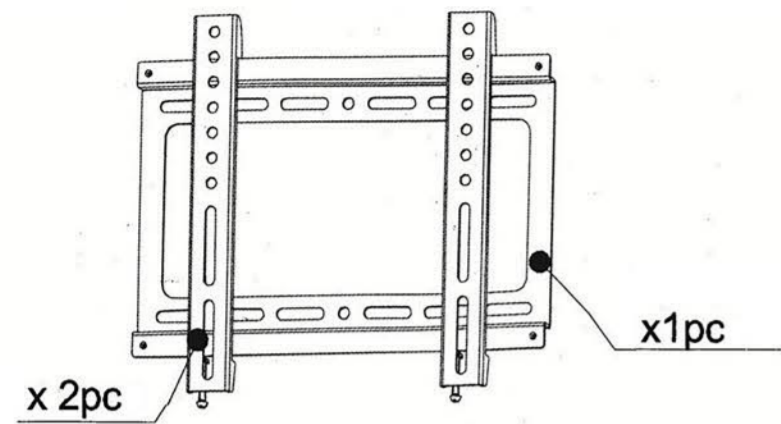


Model:250E



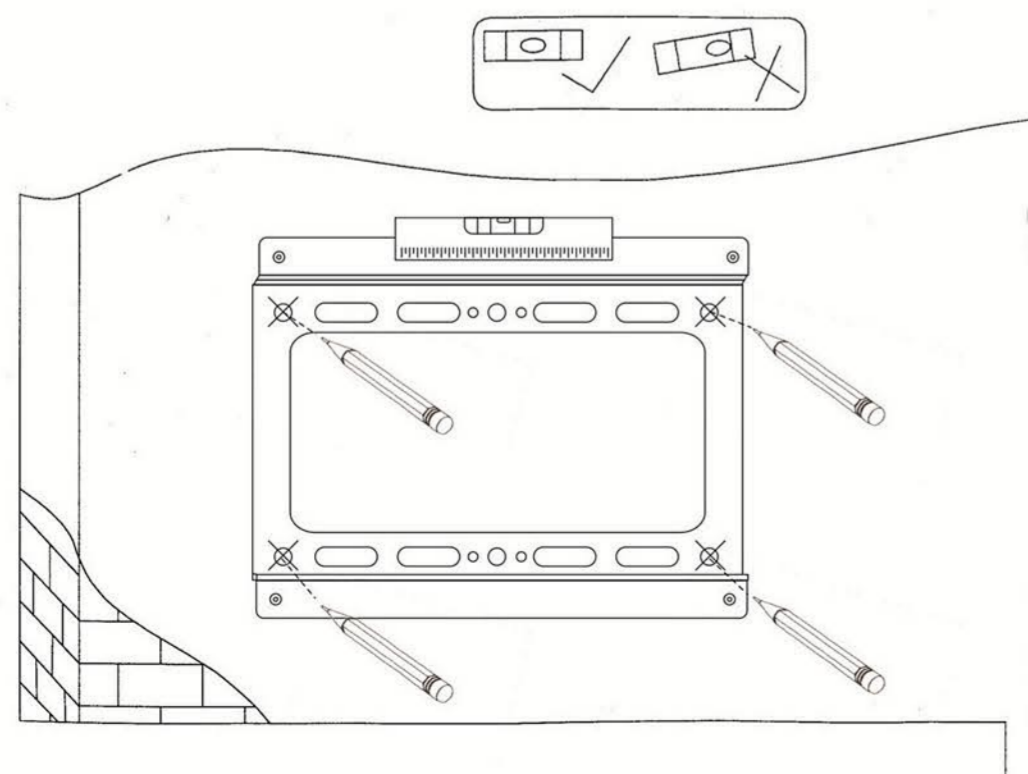
Hardware List

- | | | | | |
|----------------------------|-------------------------------|---|---|--|
| A ×4PCS
ST6×50mm | B ×4PCS
Ø10×Ø6×50mm | C ×4PCS
Ø12×6.5×1.0mm
Metal gasket | D ×4PCS
Ø12×6.5×1.0mm
Metal gasket | E ×4PCS
Ø16×8.5×15mm
Plastic gasket |
| F x4PCS
M4x30mm | G x4PCS
M5x30mm | H x4PCS
M6x30mm | I ×4PCS
M8x30mm | K ×2PCS
M5x35mm |

TOOLS NEEDED

Pencil Mark	Phillips Screwdriver	Hammer	Electric drill	Steel measuring tape
Ø 10.0mm Concrete bit	Ø 4.0mm Twist bit	Level		

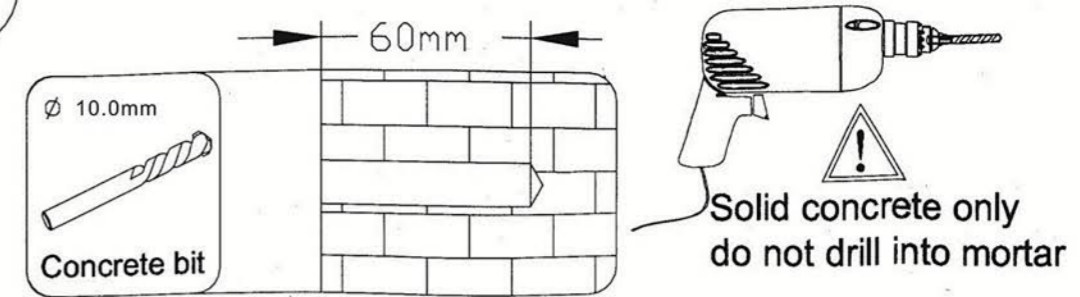
Step-1 Mounting the wall plate:



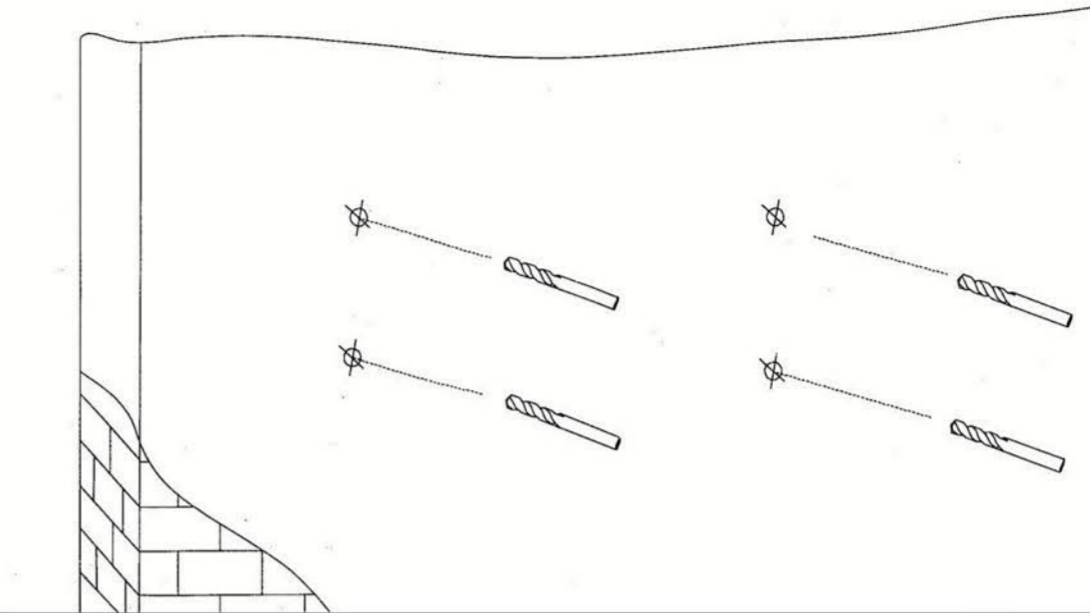
1



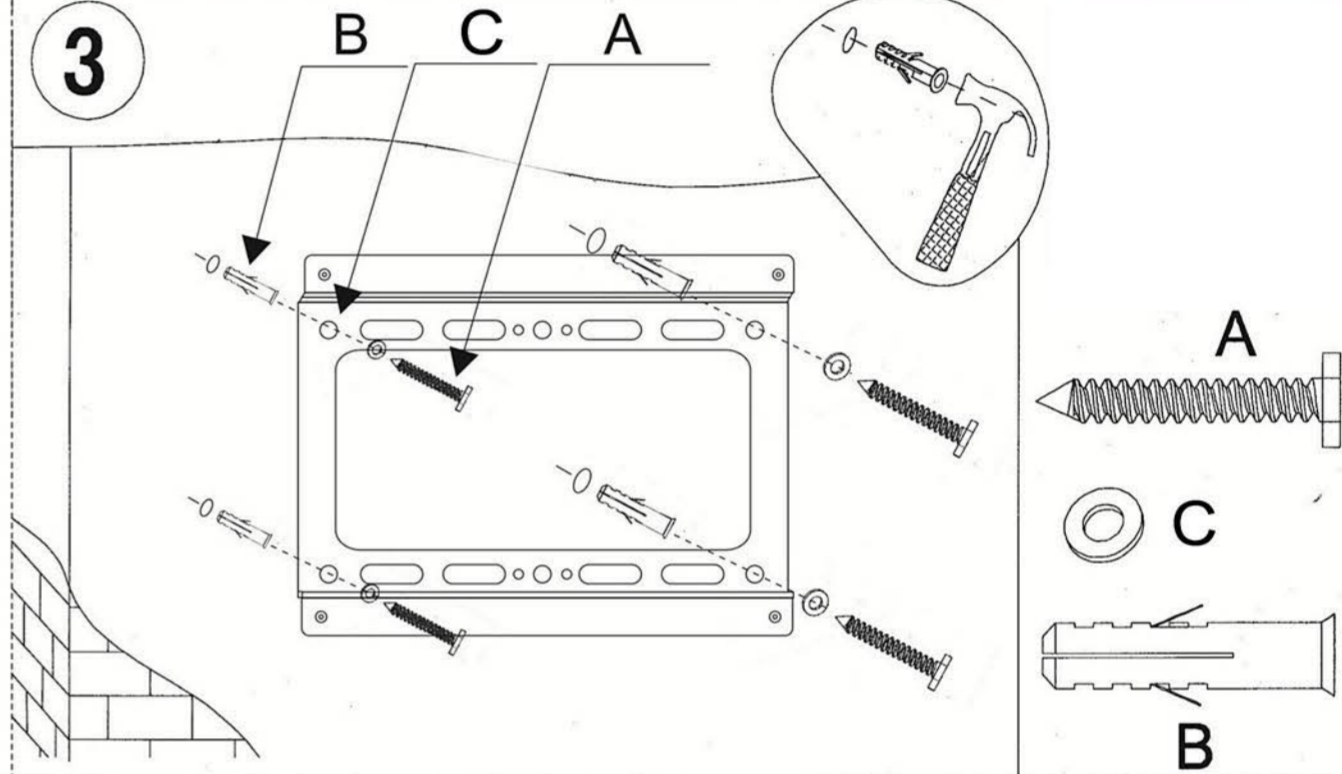
2



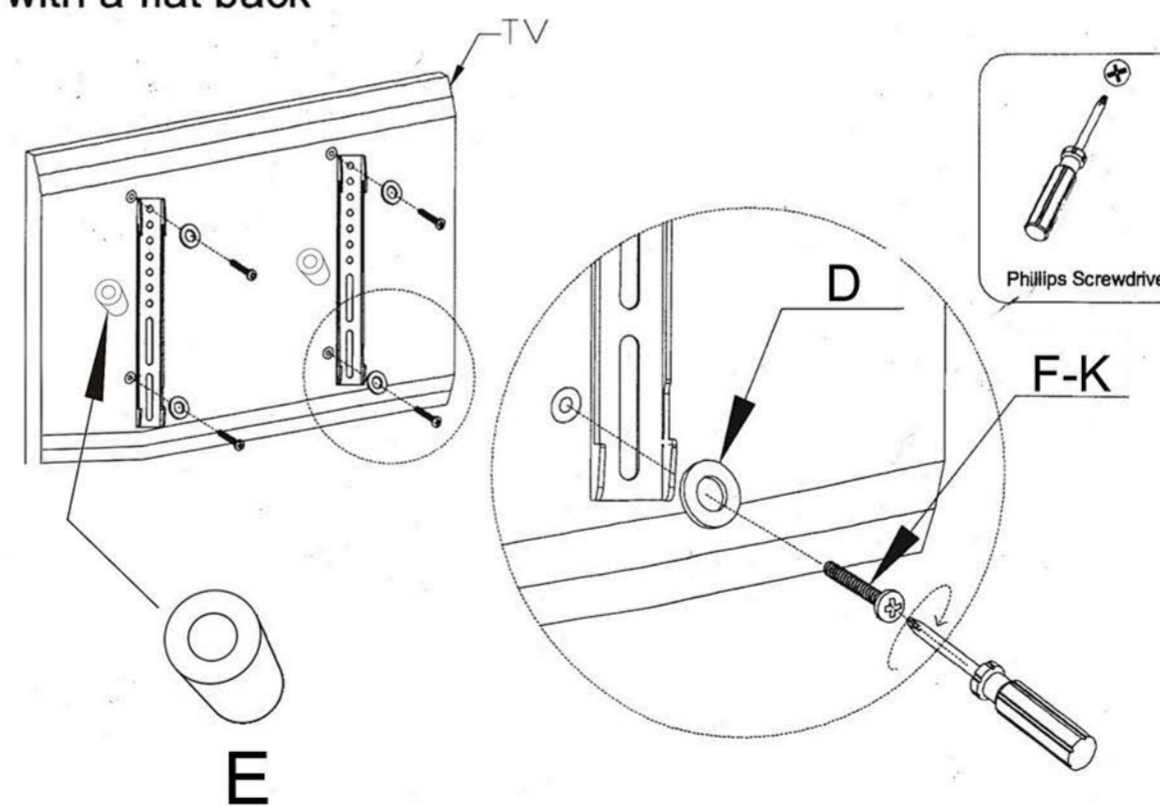
Drilling first with 4 then with 10.



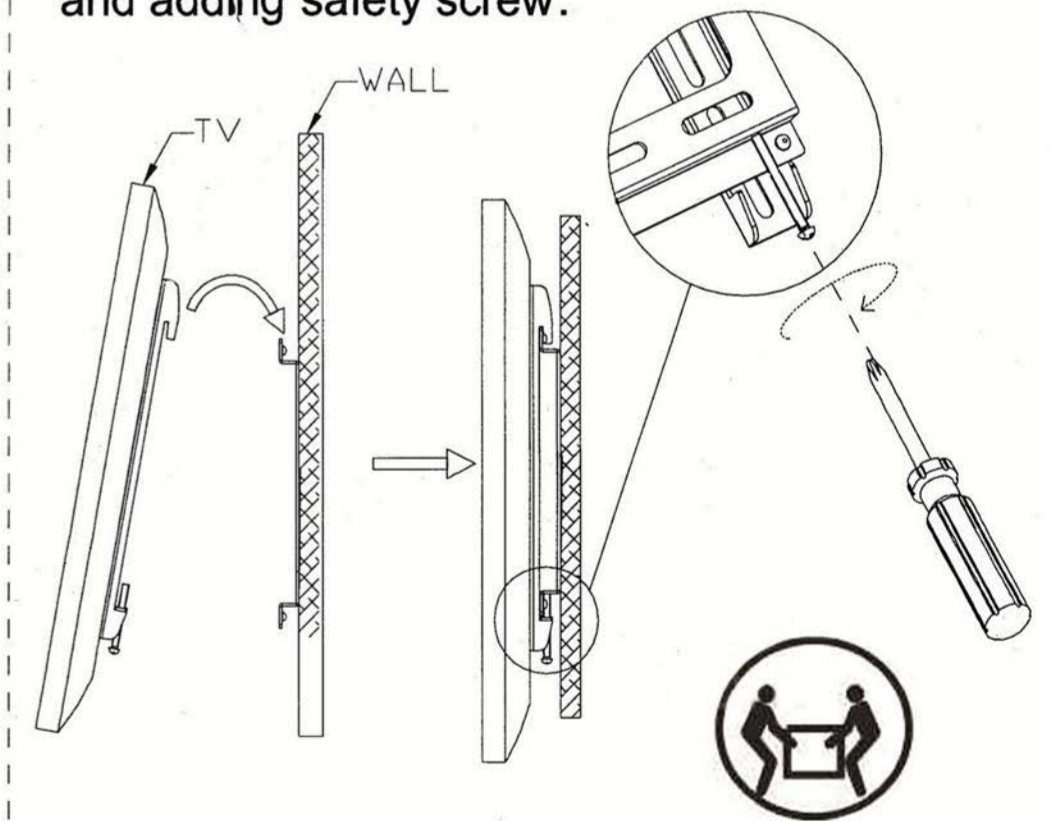
3



Step-2 Mounting TV brackets to a television with a flat back



Step-3 Attaching TV to wall plate and adding safety screw.



OK

