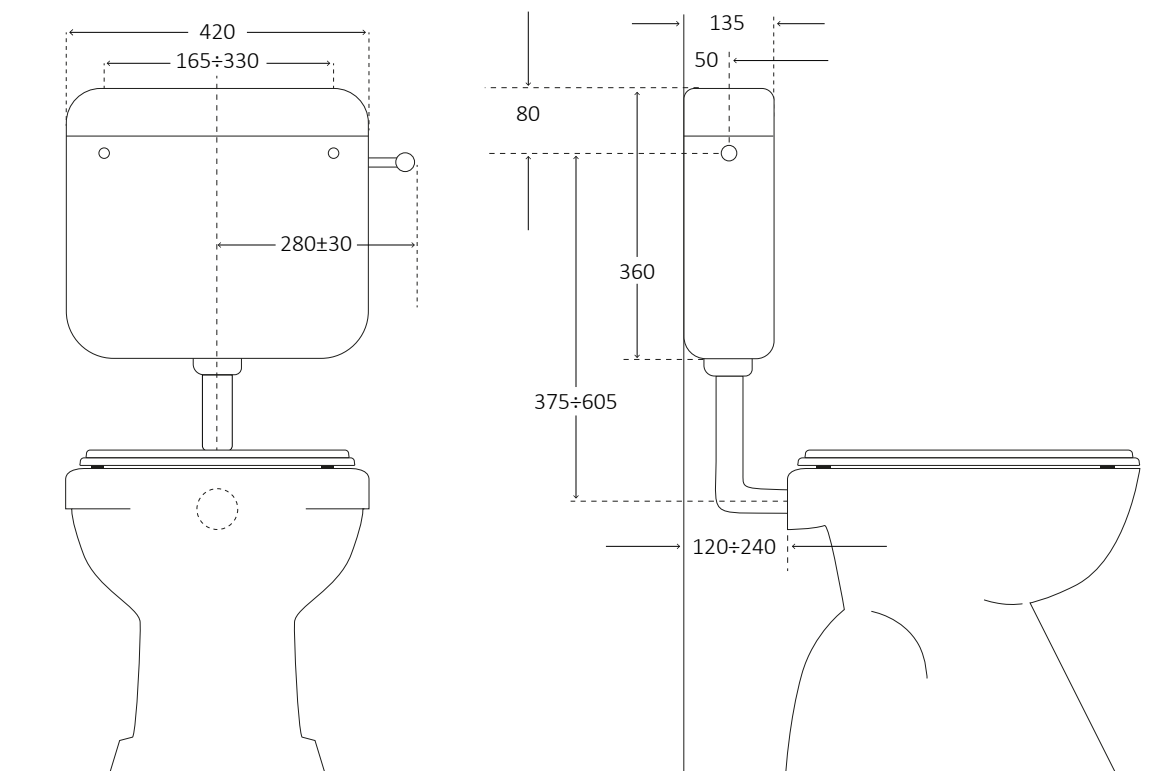


Concept 2

Art. 1000C2FX



Utilizare

Instalare pe perete, la semiinaltime

Caracteristici

Izolant anticondens
 Robinet flotor 3/8" compact, rapid si silentios
 Racordarea la sursa de apa: stanga, dreapta sau central-posterior
 Buton cu actionare dubla
 Corp din ABS tratat anti-imbatranire

Informatii tehnice

Material :	ABS
Capacitate :	7,5 litri
Volum de apa reglabil descarcare totala :	5-7,5 litri
Volum de apa reglabil descarcare partiala :	1-4,5 litri
Setare standard a cantitatii de umplere :	7 litri
Durata de umplere (7 l) cu presiune dinamica de 3 bar :	64 sec
Model vas wc :	pe pardoseala
Actionare :	mecanica
In conformitate cu standardul CE :	UNI EN 14055 : 2011

Continut pachet

Robinet flotor compact 3/8, stut plastic
 Mecanism wc
 Piulita
 Garnitura
 Punte pentru descarcare totala
 Punte de sustinere pentru alimentare apa central-posterioara
 Teava scurgere ø 50x40 pentru rezervor wc la semi-inaltime
 Kit de fixare pe perete

Articole

1000C2FX Concept 2 alb descarcare dubla

Field of application

External installation for medium level installation

Features

Anti-condensate and soundproofing insulation
 3/8" compact floating valve, safe, quick and silent
 Water connection right, left or central back
 Double flush
 ABS body with anti-age treatment

Technical informations

Material :	ABS
Capacity :	7,5 litres
Adjustable total rinsing volume :	5-7,5 litres
Adjustable partial rinsing volume :	1-4,5 litres
Standard setting of filling quantity:	7 litres
Filling duration (7 l) with a dynamic pressure of 3 bar	64 sec
Type of wc:	at floor
Type of drive :	mechanical
Comply with CE standard :	UNI EN 14055 : 2011

Equipment

3/8" compact floating valve, with pom tang
 Outlet valve
 Outlet valve nut
 Outlet valve gasket
 Supporting bridge for levers with lever for total flush and lever for partial flush
 Bridge for back entry
 Outlet pipe ø 50x40 for external low level cistern
 Wall fixing kit

Items

1000C2FX Concept 2 double flush, with tap, white