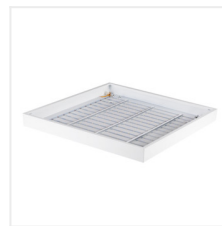


## 25790 TOWE LED 36W-NW

Surface-mounted LED panel



|                   |                |                          |              |            |                   |               |
|-------------------|----------------|--------------------------|--------------|------------|-------------------|---------------|
| [V]<br>220-240 AC | [Hz]<br>50/60  | [W]<br>36                | [lm]<br>3200 | lm/W<br>89 | [°]<br>110        | [h]<br>≥15000 |
| [h]<br>20000      | Tc [K]<br>4000 | ellipse<br>≤ 6x MacKadam | Ra<br>≥80    | SMD        |                   |               |
| IP<br>20          |                | [°C]<br>5 ÷ 25           |              |            | [mm²]<br>0,75-2,5 | [m]<br>0,5m   |
|                   |                |                          |              |            |                   |               |



|                 |              |      |        |      |     |       |
|-----------------|--------------|------|--------|------|-----|-------|
|                 | [W]          | [lm] | Tc [K] | [°]  |     |       |
| TOWE LED 36W-NW | <b>25790</b> | 36   | 3200   | 4000 | 110 | white |



Kanlux TOWE LED is a facade version of LED panels. Even arrangement of LEDs inside the luminaire ensures homogeneous light emission. Four holes for mounting using standard plugs make the installation of the luminaire quick.

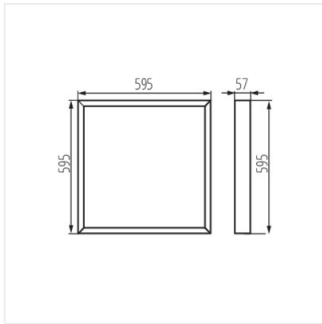
- Enclosure material: steel
- Lampshade material: plastic



## 25790 TOWE LED 36W-NW

---

Surface-mounted LED panel



TOWE LED 36W-NW