

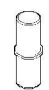
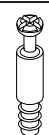
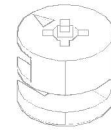
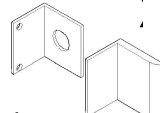
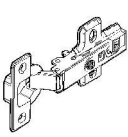

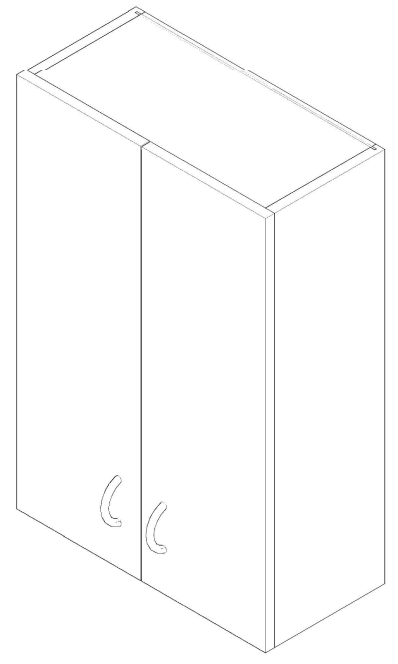
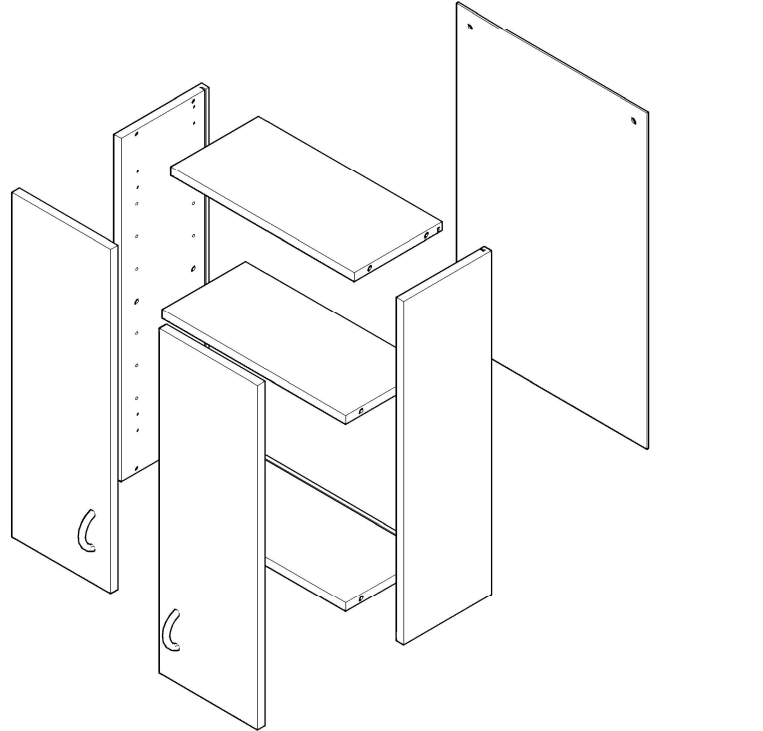


# NR.15

<p>3.5x16</p>  <p>S01</p> <p><b>x24</b></p>	<p>M4x22</p>  <p>S11</p> <p><b>x4</b></p>	 <p>S21</p> <p><b>x8</b></p>	 <p>C10</p> <p><b>x8</b></p>	 <p>C11</p> <p><b>x8</b></p>	 <p>A01</p>
 <p>B01</p> <p><b>x4</b></p>	 <p>M01</p> <p><b>x2</b></p>				



**1.**

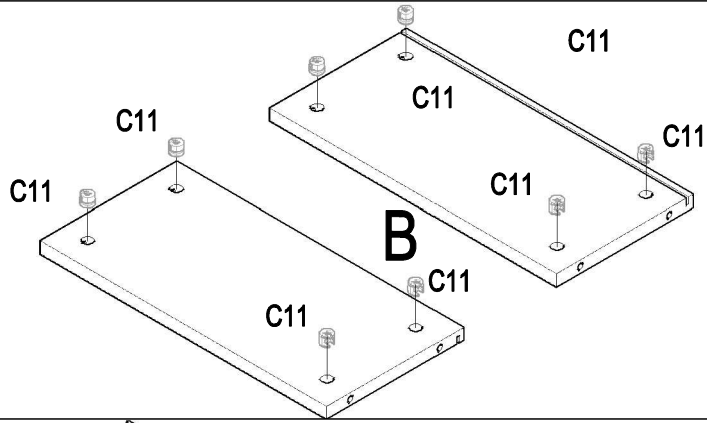
**A**

**B**

**C**

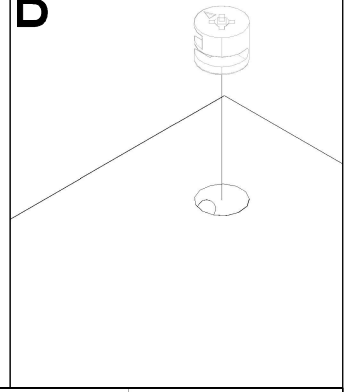
8xS21  
8xC10

2.



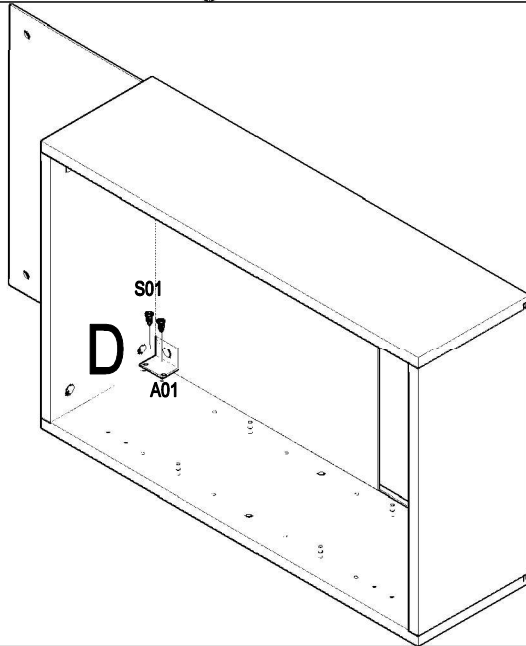
8xC11

B



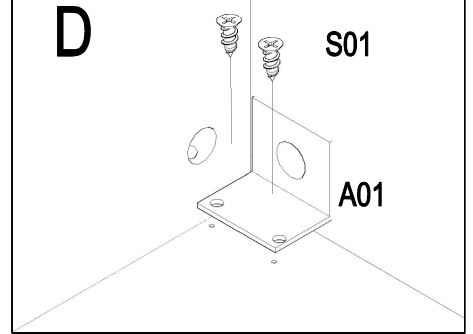
3.

→  
PFL



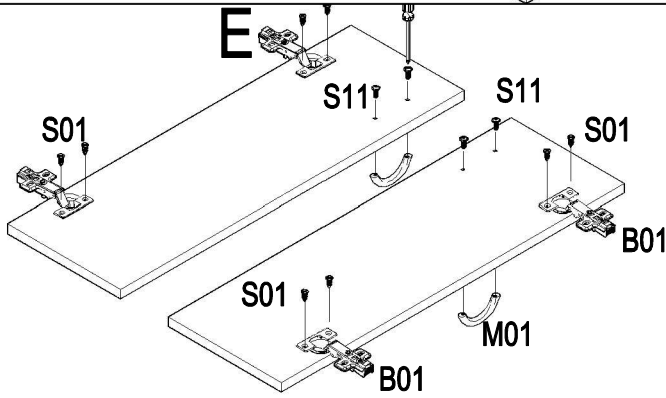
2xA01  
4xS01

D



4.

E

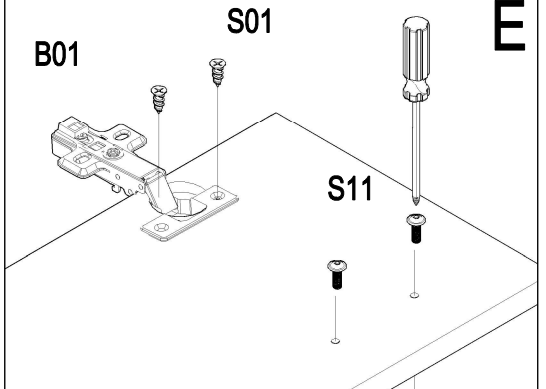


2xM01  
4xS11  
8xS01  
4xB01

B01

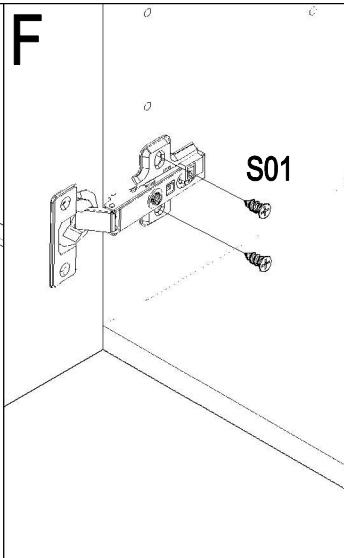
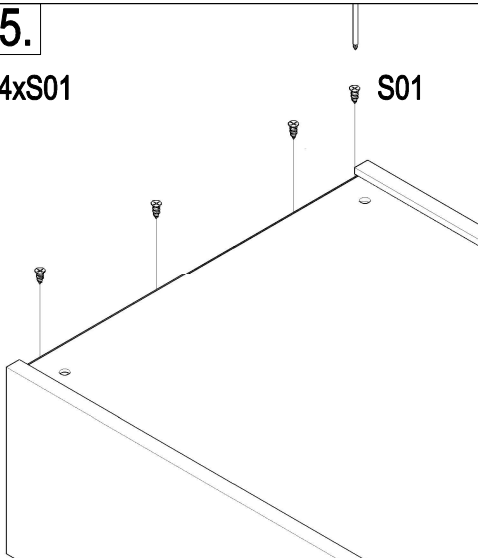
S01

E



5.

4xS01

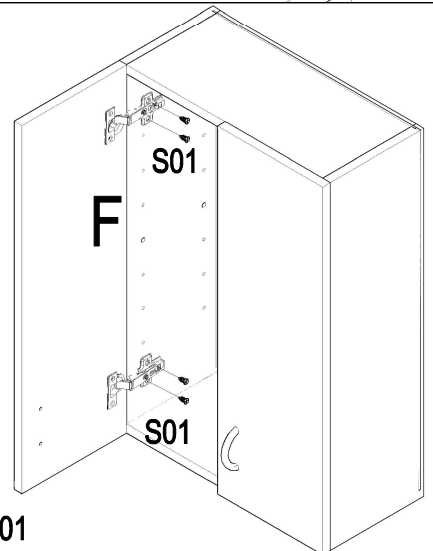


F

S01

6.

8xS01



F

S01

S01