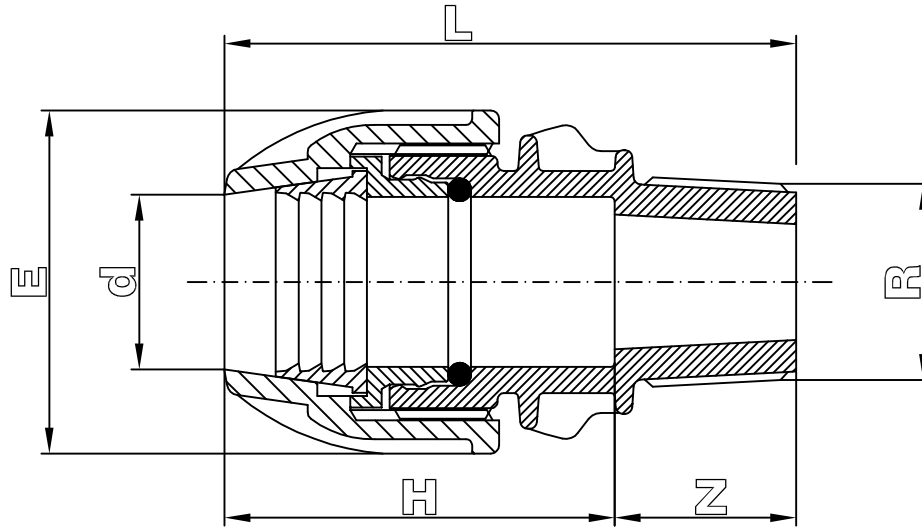


MUFA RAPIDA PE FILET ESTERIOR



The FILBO connecting joint is designed and manufactured in according to the international standard norms:

ISO 3458
 ISO 3459
 ISO 3501
 ISO 3503
 ISO 14236
 DIN 8076-3
 KIWA BRLK 534-01
 UNI 9561
 UNI 9562


The connecting parts of the body with the PE pipes are designed in according to the international standard norms:

ISO DIS 3607
 DIN 8072
 DIN 8074
 UNI 7611
 UNI 7990

Male and female threaded adaptors are designed in according to the international standard norms:

ISO 7
 UNI ISO 7-1
 BS 21

dxR	Z _{min.}	H	L		E		g	
			Tolerance	Tolerance	Tolerance	Tolerance		
20x1/2"	26	58	±3 mm	84	±3 mm	47	±0.3 mm	35
20x3/4"	26	58	±3 mm	84	±3 mm	47	±0.3 mm	40
25x1/2"	26	67	±3 mm	93	±3 mm	54	±0.3 mm	50
25x3/4"	26	67	±3 mm	93	±3 mm	54	±0.3 mm	55
25x1"	26	67	±3 mm	93	±3 mm	54	±0.3 mm	65
32x3/4"	26	77	±3 mm	103	±3 mm	66	±0.3 mm	80
32x1"	26	77	±3 mm	103	±3 mm	66	±0.3 mm	90
32x1 1/4"	28	77	±3 mm	105	±3 mm	66	±0.3 mm	115
40x1"	29	96	±5 mm	125	±5 mm	83	±0.5 mm	160
40x1 1/4"	29	96	±5 mm	125	±5 mm	83	±0.5 mm	180
40x1 1/2"	29	96	±5 mm	125	±5 mm	83	±0.5 mm	195
50x1 1/4"	30	110	±5 mm	140	±5 mm	98	±0.5 mm	250
50x1 1/2"	30	110	±5 mm	140	±5 mm	98	±0.5 mm	270
50x2"	34	110	±5 mm	144	±5 mm	98	±0.5 mm	300
63x1 1/2"	32	124	±5 mm	156	±5 mm	116	±0.5 mm	420
63x2"	36	124	±5 mm	160	±5 mm	116	±0.5 mm	450

 6, Tsar Ivan Shishman Str. Varna - Bulgaria		DENOMINAZIONE Male Adaptor Data Sheet.	
		FISA MUFA RAPIDA PE FE	
Designer		Raw Material	Drawing N°
SCALA //	Date 05.06.2007	Injection Machine	
			DSH 0004