

## PRODUCT DATASHEET

### LED PANEL DOWNLIGHT FE-15W/200R/840L

Consumer Products Downlights | LED PANEL LIGHT SLIM



#### AREAS OF APPLICATION

- Offices, conference rooms, reception areas
- Corridors, stairways, entrance areas
- Retail, shops
- Direct replacement for luminaires with compact fluorescent lamps
- General illumination

---

#### PRODUCT BENEFITS

- Low energy consumption and energy saving
- Low installation depth
- Easy and quick installation
- Instant 100 % light, no warm-up time
- No dark and yellow spots on the diffuser
- Aluminum frame with better heating diffusion

---

#### PRODUCT FEATURES

- Recessed mounted luminaires
- Light guide made of PMMA for long lifetime
- Mercury-free lamps
- Lifetime: up to 25,000 h (at 25 °C)



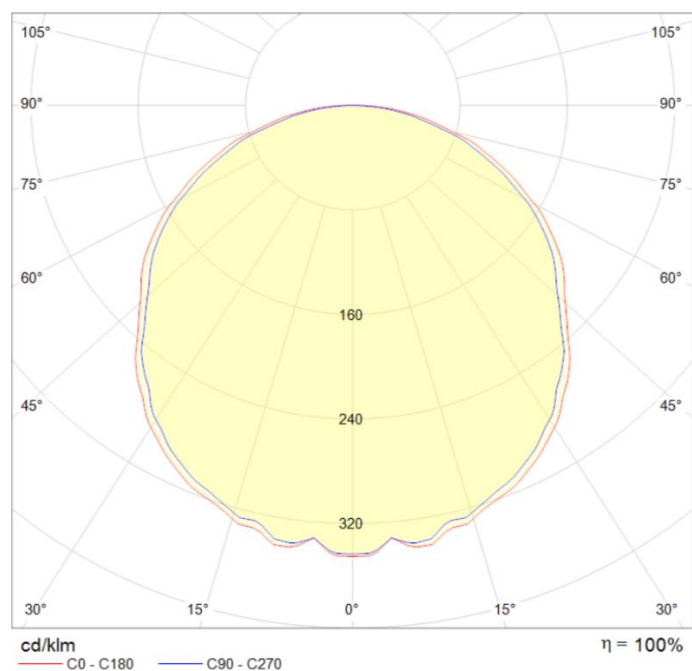
## TECHNICAL DATA

### Electrical data

Rated wattage	15.00 W
Nominal wattage	15.00 W
Nominal voltage	185-240VAC
Operating frequency	50...60 Hz
Power factor $\lambda$	> 0.50
Insulation Class	Class II
Protection class IK (shock resistance)	IK03

### Photometrical data

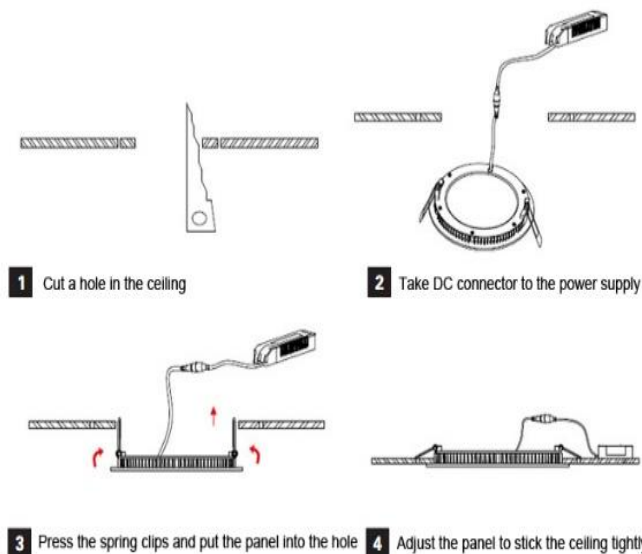
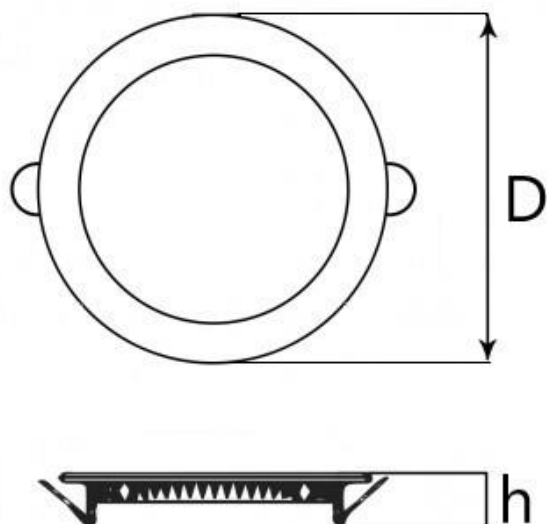
Rated luminous flux	1050 lm
Light color (designation)	Natural White
Color temperature	4000 K
Luminous flux	1050 lm
Color rendering index Ra	$\geq 80$
Standard deviation of color matching	$\leq 6$ sdc <sub>m</sub>
Nominal luminous flux	1050 lm
Rated color temperature	4000 K



### Light technical data

Starting time	< 0.5 s
Beam angle	120 °

Dimensions & weight



<b>Diameter</b>	200.0 mm
<b>Height</b>	22.0 mm
<b>Weight</b>	347.0 g

Lifespan

<b>Nominal lamp life time</b>	25000 h
<b>Rated lamp life time</b>	25000 h
<b>Number of switching cycles</b>	20000
<b>Warranty</b>	2 years

Capabilities

<b>Dimmable</b>	No
<b>LED module replaceable</b>	Not replaceable

Temperatures & operating conditions

<b>Ambient temperature range</b>	-25...+40 °C
<b>Storage temperature</b>	-25...+55 °C

**Additional product data**

<b>Installation method</b>	Recessed
<b>Low flicker</b>	Yes
<b>Mercury-free</b>	Yes
<b>Design / version</b>	frosted
<b>Body material</b>	Aluminum
<b>Cover material</b>	Polymethylmethacrylate (PMMA)
<b>Light emitting surface material</b>	Polymethylmethacrylate (PMMA)
<b>Product remark</b>	All technical parameters apply to the entire lamp/Due to the complex production process for light-emitting diodes, the typical values shown for the technical LED parameters are purely statistical values that do not necessarily match the actual technical parameters of each individual product, which can vary from the typical value
<b>Mercury content</b>	0.0 mg
<b>Standards</b>	CE/CCC

**Order code/Name**

<b>Order code/Name</b>	FE3401 LED PANEL DOWNLIGHT FE-15W/200R/840L
------------------------	---------------------------------------------

**LOGISTICAL DATA**

<b>Product code</b>	<b>Packaging unit (Pieces/Unit)</b>	<b>Dimensions (length x width x height)</b>	<b>Gross weight</b>	<b>Volume</b>
FE3401	Carton box 1	240 mm x 28 mm x 280 mm	370.00 g	1.88 dm <sup>3</sup>
FE3401	Shipping carton box 30	725 mm x 330 mm x 220 mm	11100.00 g	0.053 m <sup>3</sup>

The mentioned product code describes the smallest quantity unit which can be ordered. One shipping unit can contain one or more single products. When placing an order, for the quantity please enter single or multiples of a shipping

**REFERENCES / LINKS**

For further products and actual information concerning LED luminaires see [www.fucida.eu](http://www.fucida.eu)

For Guarantee see [www.fucida.eu](http://www.fucida.eu)

**DISCLAIMER**

Subject to change without notice. Errors and omission excepted.

