

# Product Environmental Profile

**SUNO™**

**German standard 2P+E socket-outlet without shutter**



## LEGRAND'S ENVIRONMENTAL COMMITMENTS

• **Incorporate environmental management into our industrial sites**

Of all Legrand sites worldwide, over 85% are ISO 14001-certified (sites belonging to the Group for more than five years).

• **Offer our customers environmentally friendly solutions**

Develop innovative solutions to help our customers design more energy efficient, better managed and more environmentally friendly installations.

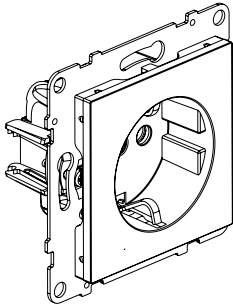
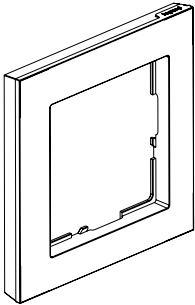
• **Involve the environment in product design and provide informations in compliance with ISO 14025**

Reduce the environmental impact of products over their whole life cycle.

Provide our customers with all relevant information (composition, consumption, end of life, etc.).



## REFERENCE PRODUCT

<b>Function</b>	Connect/Disconnect during 20 years the plug of a load consuming 16A under a voltage of 250V while protecting the user from direct contact with live parts..	
<b>Reference Product</b>		
	Cat.No 7 211 25 Mechanism	Cat.No 7 215 01 Plate
German standard 2P+E socket-outlet without shutter 16A 250 V-		

The company reserves the right to change specifications and designs without notice. All illustrations, descriptions, dimensions and weights in the document are for guidance and cannot be held binding on the company.



## PRODUCTS CONCERNED

The environmental data is representative of the following products:

Catalogue Numbers						
2P+E socket without shutter - screw terminals	2P+E socket with shutter - screw terminals	1 gang plate	2 gang plate	3 gang plate	4 gang plate	5 gang plate
• 7 211 25	• 7 211 24	• 7 215 11	• 7 215 12	• 7 215 13	• 7 215 14	• 7 215 15
• 7 212 25	• 7 213 24	• 7 215 21	• 7 215 22	• 7 215 23	• 7 215 24	• 7 215 25
• 7 213 25	• 7 214 24	• 7 215 61	• 7 215 62	• 7 215 63	• 7 215 64	• 7 215 65
• 7 214 25		• 7 215 91	• 7 215 92	• 7 215 93	• 7 215 94	• 7 215 95
		• 7 215 51	• 7 215 52	• 7 215 53	• 7 215 54	• 7 215 55
		• 7 215 31	• 7 215 32	• 7 215 33	• 7 215 34	• 7 215 35
		• 7 215 41	• 7 215 42	• 7 215 43	• 7 215 44	• 7 215 45
		• 7 215 81	• 7 215 82	• 7 215 83	• 7 215 84	• 7 215 85
		• 7 215 71	• 7 215 72	• 7 215 73	• 7 215 74	• 7 215 75
		• 7 216 01	• 7 216 02	• 7 216 03	• 7 216 04	• 7 216 05
		• 7 215 01	• 7 215 02	• 7 215 03	• 7 215 04	• 7 215 05

# Product Environmental Profile

**SUNO™**

German standard 2P+E socket-outlet without shutter



## ■ CONSTITUENT MATERIALS

This Reference Product contains no substances prohibited by the regulations applicable at the time of its introduction to the market. It respects the restrictions on use of hazardous substances as defined in the RoHS directive 2011/65/EU amended by delegated directive (EU) 2015/863, and its amendment 2017/2102/EU.

<b>Total weight of Reference Product</b>	<b>138 g</b> (all packaging included)				
Plastics as % of weight		Metals as % of weight		Other as % of weight	
PC	16.2 %	Steel	32.3 %		
ABC	9.2 %	Copper alloys	6.5 %		
PS	<0.1 %				
Packaging as % of weight					
PP (emballage)	3.2 %			Wood	18.2 %
PE (emballage)	0.1 %			Paper	14.3 %
<b>Total plastics</b>	<b>28.7 %</b>	<b>Total metals</b>	<b>38.8 %</b>	<b>Total others</b>	<b>32.5 %</b>

Estimated recycled material content: 26 % by mass.



## ■ MANUFACTURE

This Reference Product comes from a site that has received ISO 14001 certification.



## ■ DISTRIBUTION

Products are distributed from logistics centres located with a view to optimize transport efficiency. The Reference Product is therefore transported over an average distance of 1405 km by road from our warehouse to the local point of distribution into the market in Europe.

Packaging is compliant with european directive 2004/12/EU concerning packaging and packaging waste. At their end of life, its recyclability rate is 88 % (in % of packaging weight).



## ■ INSTALLATION

For the installation of the product, only standard tools are needed.



## ■ USE

Under normal conditions of use, this product requires no servicing, no maintenance or additional products.

# Product Environmental Profile

SUNO™

German standard 2P+E socket-outlet without shutter



## END OF LIFE

The product end of life factors are taken into account during the design phase. Dismantling and sorting of components or materials is made as easy as possible with a view to recycling or failing that, another form of reuse. This product falls within the scope of the WEEE directive (2012/19/EU). Therefore it must be processed through local WEEE recycling/recovery channels.

• **Extended producer responsibility:**

The sale of this product is subject to a contribution to eco-organisations in each country responsible for managing end of life products in the field of application of the European Waste Electronic and Electrical Equipment Directive.

• **Recyclability rate:**

Calculated using the method described in technical report IEC/TR 62635, the recyclability rate of the product is estimated at 95 %. This value is based on data collected from a technological channel operating on an industrial basis. It does not pre-validate the effective use of this channel for the end of life of this product.

Separated into:

- plastic materials (excluding packaging) : 24 %
- metal materials (excluding packaging) : 39 %
- packaging (all types of materials) : 32 %



## ENVIRONMENTAL IMPACTS

The evaluation of environmental impacts examines the stages of the Reference Product life cycle : manufacturing, distribution, installation, use and end of life. It is representative from products marketed and used in Europe.

For each phase, the following modelling elements were taken in account:

<b>Manufacture</b>	Materials and components of the product, all transport for the manufacturing, the packaging and the waste generated by the manufacturing.
<b>Distribution</b>	Transport between the last Group distribution centre and an average delivery point in the sales area.
<b>Installation</b>	The end of life of the packaging.
<b>Use</b>	<ul style="list-style-type: none"> <li>• Product category: PSR-0005-ed2-EN-2016 03 29 - § 3.8.1.1 - Power socket and electronic connection socket.</li> <li>• Use scenario: non-continuous operation for 20 years at 50% of rated load, during 50% of the time. This modelling duration does not constitute a minimum durability requirement.</li> <li>• Energy model: Electricity Mix; Europe 27 - 2008.</li> </ul>
<b>End of life</b>	The default end of life scenario maximizing the environmental impacts.
<b>Software and database used</b>	EIME & database CODDE-2018-11

# Product Environmental Profile

SUNO™

German standard 2P+E socket-outlet without shutter



## SELECTION OF ENVIRONMENTAL IMPACTS

	Total for Life cycle		Raw material and manufacture		Distribution		Installation		Use		End of life	
Global warming	4.76E+00	kgCO <sub>2</sub> eq.	4.92E-01	10 %	9.46E-03	< 1 %	3.01E-03	< 1 %	4.25E+00	89 %	7.65E-03	< 1 %
Ozone depletion	2.97E-07	kgCFC-11 eq.	2.05E-08	7 %	1.95E-11	< 1 %	2.48E-11	< 1 %	2.77E-07	93 %	1.29E-10	< 1 %
Acidification of soils and water	1.89E-02	kgSO <sub>2</sub> eq.	1.14E-03	6 %	4.33E-05	< 1 %	1.37E-05	< 1 %	1.77E-02	94 %	3.06E-05	< 1 %
Water eutrophication	2.42E-03	kg(PO <sub>4</sub> ) <sup>3-</sup> eq.	1.29E-03	53 %	9.96E-06	< 1 %	1.01E-05	< 1 %	1.07E-03	44 %	4.26E-05	2 %
Photochemical ozone formation	1.10E-03	kgC <sub>2</sub> H <sub>4</sub> eq.	1.25E-04	11 %	3.08E-06	< 1 %	9.83E-07	< 1 %	9.73E-04	88 %	2.34E-06	< 1 %
Depletion of abiotic resources - elements	2.37E-05	kgSb eq.	2.34E-05	98 %	3.86E-10	< 1 %	1.38E-10	< 1 %	3.69E-07	2 %	4.15E-10	< 1 %
Total use of primary energy	1.02E+02	MJ	1.68E+01	16 %	1.36E-01	< 1 %	4.04E-02	< 1 %	8.48E+01	83 %	8.90E-02	< 1 %
Net use of fresh water	1.54E+01	m <sup>3</sup>	3.06E-02	< 1 %	8.63E-07	< 1 %	9.74E-07	< 1 %	1.54E+01	100 %	4.58E-06	< 1 %
Depletion of abiotic resources - fossil fuels	5.47E+01	MJ	6.21E+00	11 %	1.36E-01	< 1 %	3.92E-02	< 1 %	4.82E+01	88 %	8.31E-02	< 1 %
Water pollution	2.81E+02	m <sup>3</sup>	1.03E+02	37 %	1.59E+00	< 1 %	4.56E-01	< 1 %	1.75E+02	62 %	9.66E-01	< 1 %
Air pollution	2.83E+02	m <sup>3</sup>	9.84E+01	35 %	3.95E-01	< 1 %	2.71E-01	< 1 %	1.83E+02	65 %	6.93E-01	< 1 %

The values of the 27 impacts defined in the PCR-ed3-EN-2015 04 02 are available in the digital database of pep-ecopassport.org website.

The environmental impacts are calculated for a configuration composed by socket-outlet, with cover and plate (Reference Product).

For color configurations different from that of the Reference Product, take the same value as the Reference Product for each environmental impact at each phase of the lifecycle.

For a configuration including a socket-outlet with shutters the environmental impacts of each phase of the lifecycle are obtained by adopting the following coefficients on those of the Reference Product.

	Total LCA	Manufacturing	Distribution	Installation	Use	End of life
Global warming	1.1	1.0	1.0	1.0	1.1	1.0
Ozon depletion	1.7	9.8				
Acidification of soil and water	1.1	1.0				
Water eutrophication	1.1	1.0				
Photochemical ozone creation	1.1	1.0				
Depletion of abiotic resources - elements	1.0	1.0				
Total use of primary energy during the life cycle	1.1	1.0				
Net use of fresh water	1.1	1.0				
Depletion of abiotic resources - fossil fuels	1.1	1.0				
Water pollution	1.1	1.0				
Air pollution	1.1	1.0				

Moreover, for the multi-gang configurations, the described environmental impacts of the socket-outlet without shutters and socket-outlet with shutters have to be multiplied by the number of installed products.

Registration number: LGRP-01397-V01.02-EN	Drafting rules: PEP-PCR-ed3-EN-2015 04 02 Supplemented by PSR-0005-ed2-2016 03 29
Verifier accreditation N°: VH23	Information and reference documents: <a href="http://www.pep-ecopassport.org">www.pep-ecopassport.org</a>
Date of issue: 12-2021	Validity period: 5 years
Independent verification of the declaration and data, in compliance with ISO 14025 : 2010 Internal <input checked="" type="checkbox"/> External <input type="checkbox"/>	
The PCR review was conducted by a panel of experts chaired by Philippe Osset (SOLINNEN)	
PEP are compliant with XP C08-100-1 : 2016 The elements of the present PEP cannot be compared with elements from another program	
Document in compliance with ISO 14025 : 2010: «Environmental labels and declarations. Type III environmental declarations»	
Environmental data in alignment with EN 15804: 2012 + A1 : 2013	

